

ABCO LEAD TYPE POWER INDUCTOR

LPL1418 Series

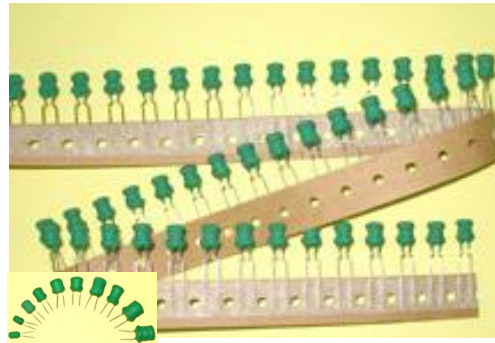
Bulk



Tube



Taping



Sales Dept.

TEL : 82-31-730-5082 FAX : 82-31-730-5082

R&D Dept.

TEL : 82-31-730-5052 FAX : 82-31-730-5034



31,Dunchon-daero 388 beon-gil,Jungwon-gu, Seongnam-si,Gyeonggi-do,Korea.

ABCO ELECTRONICS CO., LTD.

Leaded power inductor



<http://www.abco.co.kr>

Leaded type

▼ OPERATION TEMP

LPL1418 Series : -40°C ~ +105°C (Including self-generated heat)

▼ PRODUCT IDENTIFICATION

<u>LPL</u>	<u>1418</u>	<u>B</u>	<u>B</u>	-	<u>100</u>	<u>M</u>
①	②	③	④		⑤	⑥

① Product name (Leaded power inductor)

② Dimensions (Diameter × Height)

1418 : 14.0mm × 18.0mm¹⁾

1) See Dimensions page for height

③ Packing style

B: Straight Bulk type

S : Straight Taping type

T: M-forming Taping type

④ Coating style

Blank : Moulding type

B : Tube type

⑤ Inductance

1R0 : 1.0 μH

100 : 10 μH

101 : 100 μH

102 : 1000 μH

⑥ Tolerance

K : ±10%

M : ±20%

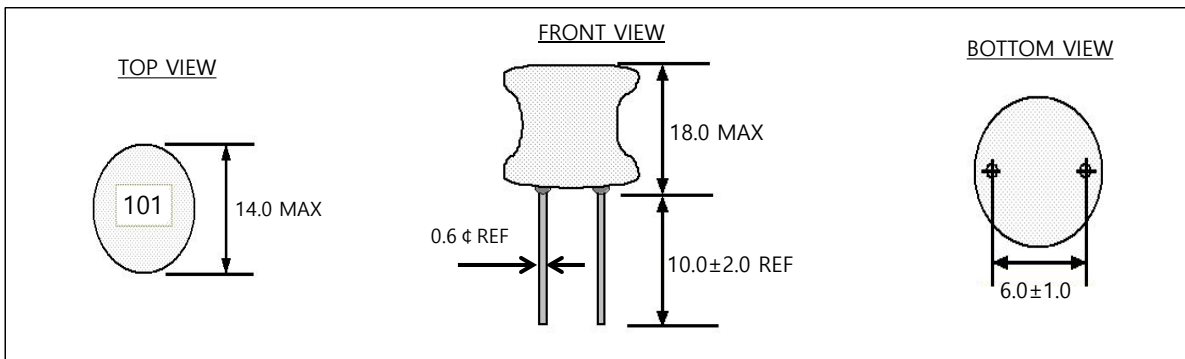
LPL1418 Series



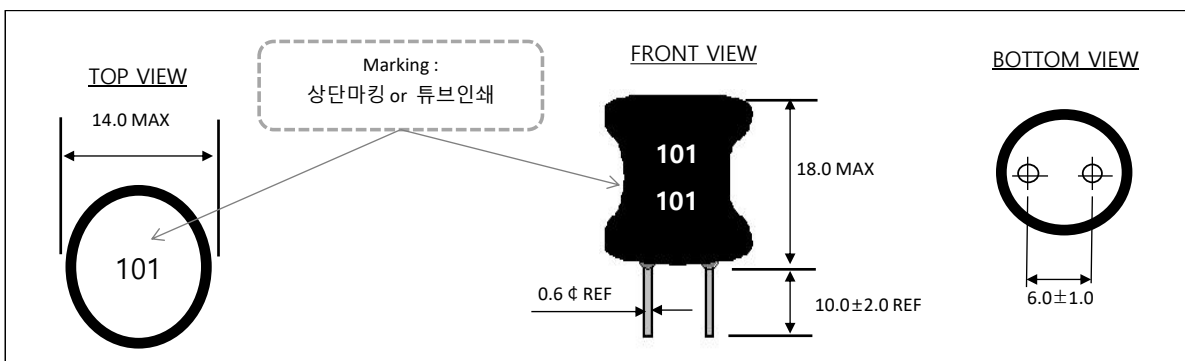
<http://www.abco.co.kr>

1. DIMENSIONS (unit : mm)

1-1) Bulk Type (LPL1418B)



1-2) Tube Type (LPL1418BB)



LPL1418 Series



<http://www.abco.co.kr>

2. Electrical Characteristics

Code	Inductance		Freq.	DC Resistance	Rated DC	MAR KING
Code	L (uH)	Tol. (%)	F (KHz)	Rdc(Ω) Max.	current(A) Max.	
LPL1418□□-3R3M	2.2	±20	1.0	0.020	10.50	2R2*
LPL1418□□-100M	3.3			0.022	9.80	3R3*
LPL1418□□-220K	22	±10	1.0	0.044	3.60	220
LPL1418□□-330K	33			0.047	2.90	330
LPL1418□□-470K	47			0.063	2.60	470
LPL1418□□-680K	68			0.071	2.00	680
LPL1418□□-101K	100			0.097	1.62	101
LPL1418□□-121K	120			0.120	1.45	121
LPL1418□□-151K	150			0.130	1.30	151
LPL1418□□-181K	180			0.170	1.17	181
LPL1418□□-221K	220			0.190	1.07	221
LPL1418□□-331K	330			0.280	0.89	331
LPL1418□□-391K	390			0.310	0.85	391
LPL1418□□-471K	470			0.360	0.79	471
LPL1418□□-681K	680			0.510	0.73	681
LPL1418□□-102K	1000			0.850	0.52	102
LPL1418□□-152K	1500			1.320	0.45	152
LPL1418□□-182K	1800			1.360	0.38	182
LPL1418□□-222K	2200			1.750	0.32	222
LPL1418□□-332K	3300			2.850	0.28	332
LPL1418□□-392K	3900			3.170	0.26	392
LPL1418□□-472K	4700			3.560	0.23	472
LPL1418□□-682K	6800			5.120	0.21	682
LPL1418□□-103K	10000			8.050	0.18	103
LPL1418□□-123K	12000			8.900	0.15	123
LPL1418□□-153K	15000			12.390	0.13	153
LPL1418□□-203K	20000			17.023	0.11	203
LPL1418□□-223K	22000			18.450	0.094	223
LPL1418□□-333K	33000	28.700	0.053	333		

LPL1418 Series



<http://www.abco.co.kr>

2. Electrical Characteristics

Code	Inductance		Freq.	DC Resistance	Rated DC	MAR KING
Code	L (uH)	Tol. (%)	F (KHz)	Rdc(Ω) Max.	current(A) Max.	
LPL1418□□-473K	47000			45.00	0.050	473
LPL1418□□-683K	68000	±10	1.0	57.50	0.040	683
LPL1418□□-104K	100000			98.56	0.039	104

▼ Test Equipments

. L : HIOKI 3511-50 Precision LCR Meter

. Rdc : HIOKI 3541 m Ω HiTESTER

. Idc : Agilent 4284A Precision LCR meter + 42841A Bias current source or equivalent

▼ Test Condition

. Idc(The saturation current) : $\Delta L \leq 20\%$ reduction from initial $L \pm 20\%$ value

$\Delta L \leq 10\%$ reduction from initial $L \pm 10\%$ value

※ Rated DC current : Idc

▼ Operating Temperature Range

-40 ~ +105°C (Including self-generated heat)