

## ABCO LEAD TYPE POWER INDUCTOR

### LPL0615-C Series

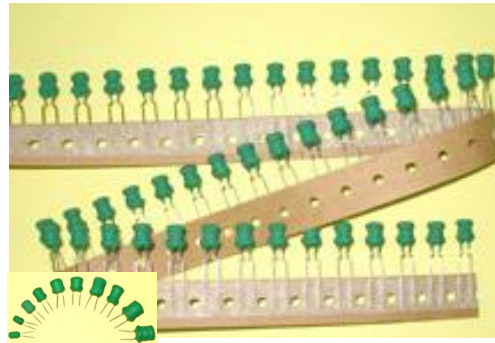
**Bulk**



**Tube**



**Taping**



**Sales Dept.**

TEL : 82-31-730-5082 FAX : 82-31-730-5082

**R&D Dept.**

TEL : 82-31-730-5052 FAX : 82-31-730-5034



31,Dunchon-daero 388 beon-gil,Jungwon-gu, Seongnam-si,Gyeonggi-do,Korea.

**ABCO ELECTRONICS CO., LTD.**

# Leaded power inductor



<http://www.abco.co.kr>

## Leaded type

### ▼ OPERATION TEMP

LPL0615-C Series : -40°C ~ +105°C (Including self-generated heat)

### ▼ PRODUCT IDENTIFICATION

<u>LPL</u>	<u>0615</u>	<u>B</u>	<u>B</u>	-	<u>850</u>	<u>M</u>	-	<u>C</u>
①	②	③	④		⑤	⑥		⑦

① Product name (Leaded power inductor)

② Dimensions (Diameter × Height)

0615 : 6.5mm × 13.5mm<sup>1)</sup>

1) See Dimensions page for height

③ Packing style

B: Straight Bulk type

S : Straight Taping type

T: M-forming Taping type

④ Coating style

Blank : Moulding type

B : Tube type

⑤ Inductance

1R0 : 1.0 μH

100 : 10 μH

101 : 100 μH

102 : 1000 μH

⑥ Tolerance

K : ±10%

M : ±20%

⑦ Applications and Characteristics

C : High current Type

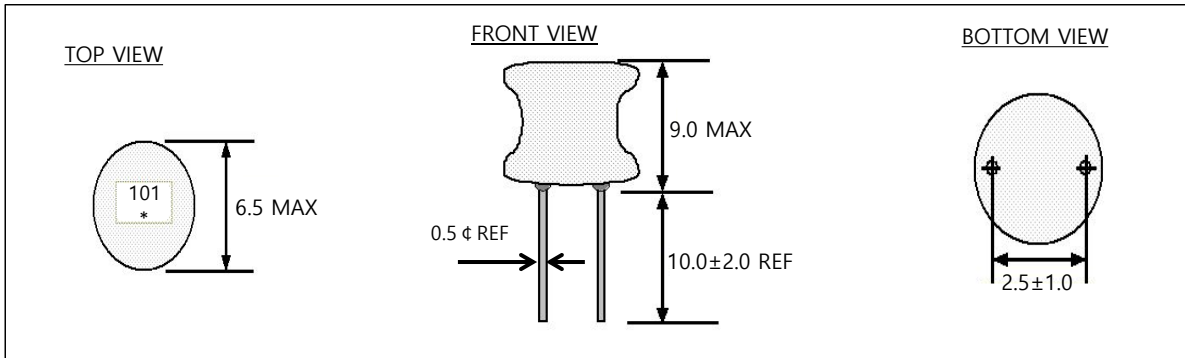
# LPL0615-C Series



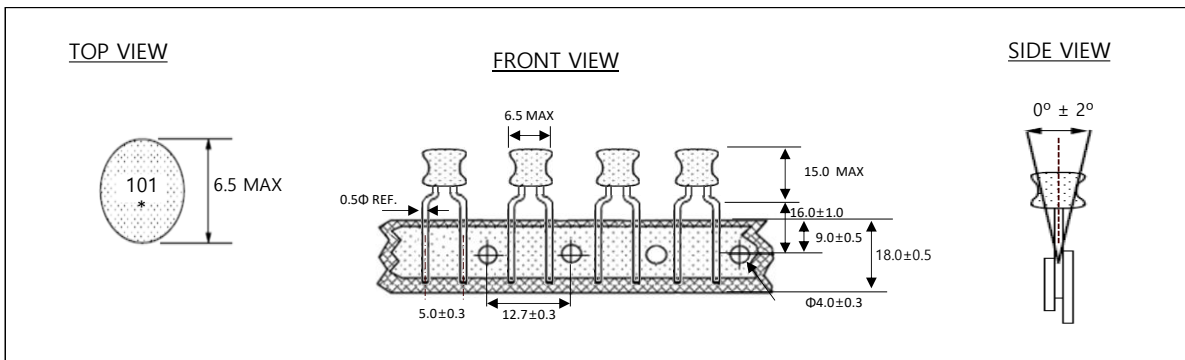
<http://www.abco.co.kr>

## 1. DIMENSIONS (unit : mm)

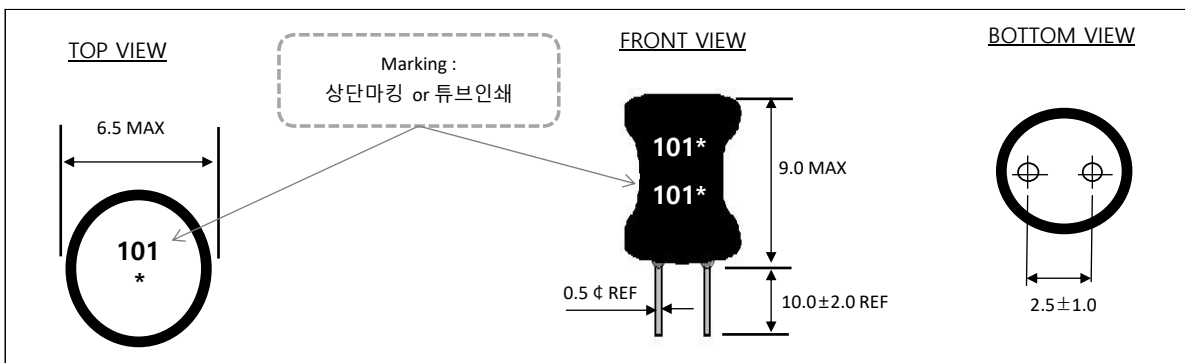
### 1-1) Bulk Type (LPL0615B-C)



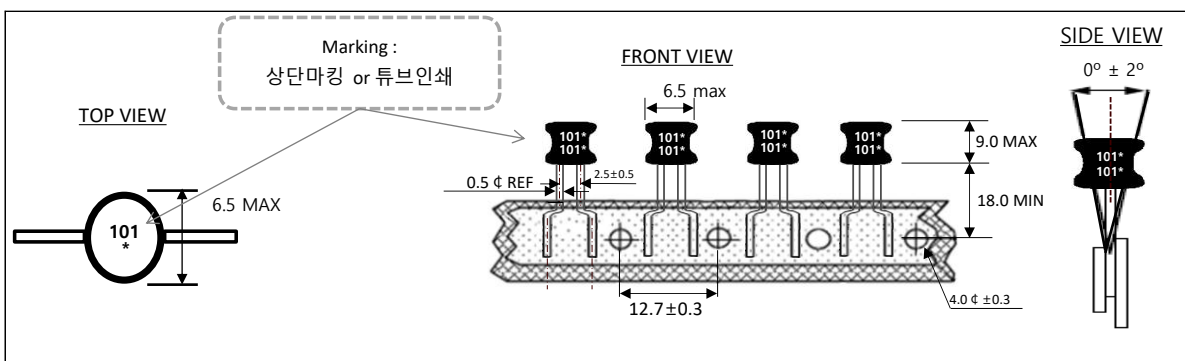
### 1-2) Taping Type (LPL0615T-C)



### 1-3) Tube Type (LPL0615BB-C)



### 1-4) Tube Taping Type (LPL0615SB-C)



# LPL0615-C Series



<http://www.abco.co.kr>

## 2. Electrical Characteristics

Code	Inductance		Freq.	DC Resistance	Rated DC	MAR KING
Code	L (uH)	Tol. (%)	F (KHz)	Rdc( $\Omega$ ) Max.	current(A) Max.	
LPL0615□□-470K-C	47	±10	1.0	0.29	0.89	470 *
LPL0615□□-850K-C	85			0.50	0.70	850 *

### ▼ Test Equipments

. L : HIOKI 3511-50 Precision LCR Meter

. Rdc : HIOKI 3541 m $\Omega$  HiTESTER

. Idc : Agilent 4284A Precision LCR meter + 42841A Bias current source or equivalent

### ▼ Test Condition

. Idc(The saturation current) :  $\Delta L \leq 20\%$  reduction from initial  $L \pm 20\%$  value

$\Delta L \leq 10\%$  reduction from initial  $L \pm 10\%$  value

※ Rated DC current : Idc

### ▼ Operating Temperature Range

-40 ~ +105°C (Including self-generated heat)