

ABCO LEAD TYPE POWER INDUCTOR

LPL0613-C Series

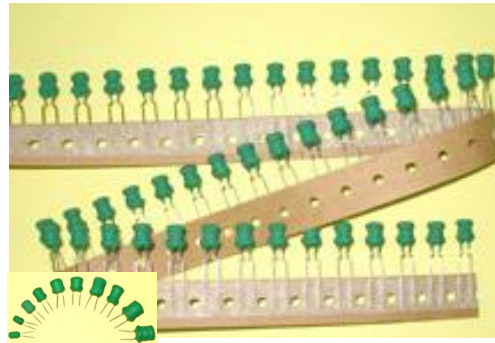
Bulk



Tube



Taping



Sales Dept.

TEL : 82-31-730-5082 FAX : 82-31-730-5082

R&D Dept.

TEL : 82-31-730-5052 FAX : 82-31-730-5034



31,Dunchon-daero 388 beon-gil,Jungwon-gu, Seongnam-si,Gyeonggi-do,Korea.

ABCO ELECTRONICS CO., LTD.

Leaded power inductor



<http://www.abco.co.kr>

Leaded type

▼ OPERATION TEMP

LPL0613-C Series : -40°C ~ +105°C (Including self-generated heat)

▼ PRODUCT IDENTIFICATION

<u>LPL</u>	<u>0613</u>	<u>B</u>	<u>B</u>	-	<u>102</u>	<u>M</u>	-	<u>C</u>
①	②	③	④		⑤	⑥		⑦

① Product name (Leaded power inductor)

② Dimensions (Diameter × Height)

0613 : 6.0mm × 13.5mm¹⁾

1) See Dimensions page for height

③ Packing style

B: Straight Bulk type

S : Straight Taping type

T: M-forming Taping type

④ Coating style

Blank : Moulding type

B : Tube type

⑤ Inductance

1R0 : 1.0 μH

100 : 10 μH

101 : 100 μH

102 : 1000 μH

⑥ Tolerance

K : ±10%

M : ±20%

⑦ Applications and Characteristics

C : High current Type

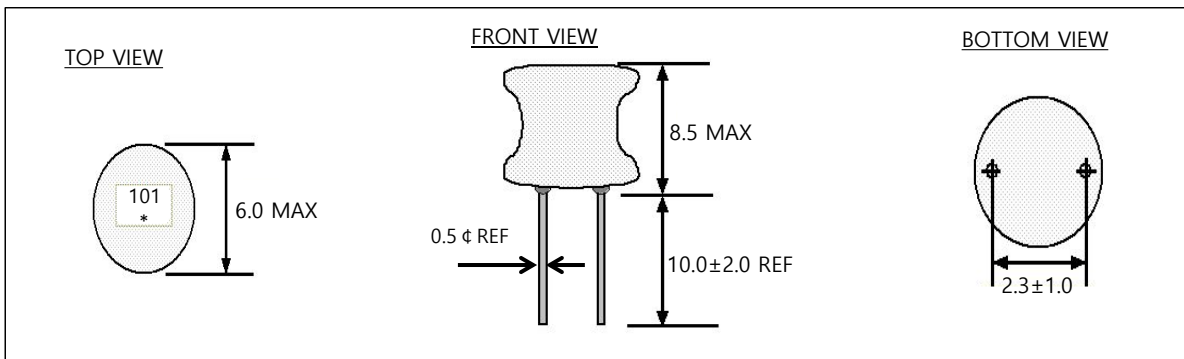
LPL0613-C Series



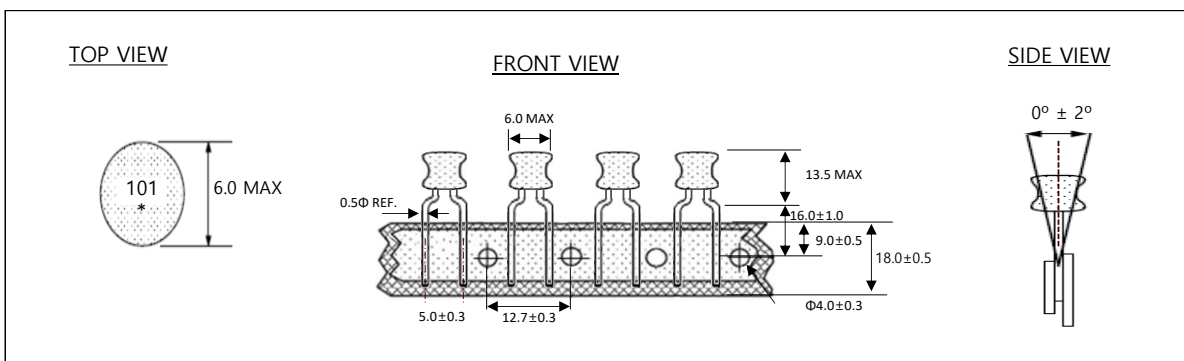
<http://www.abco.co.kr>

1. DIMENSIONS (unit : mm)

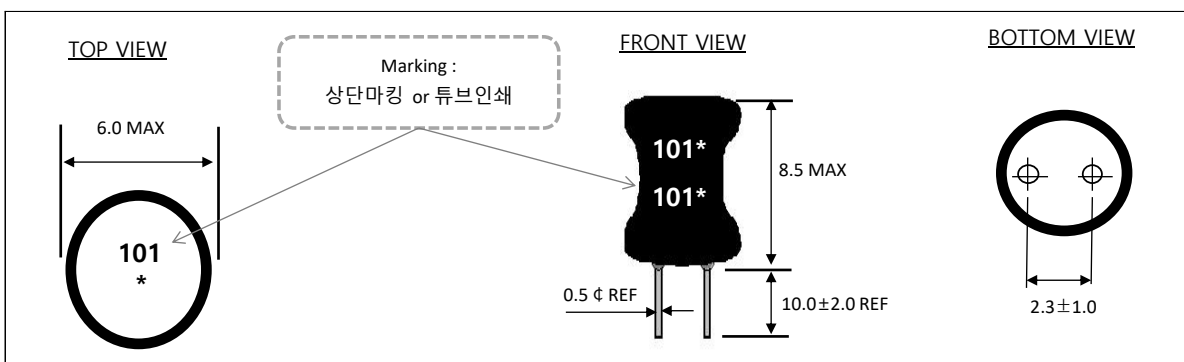
1-1) Bulk Type (LPL0613B-C)



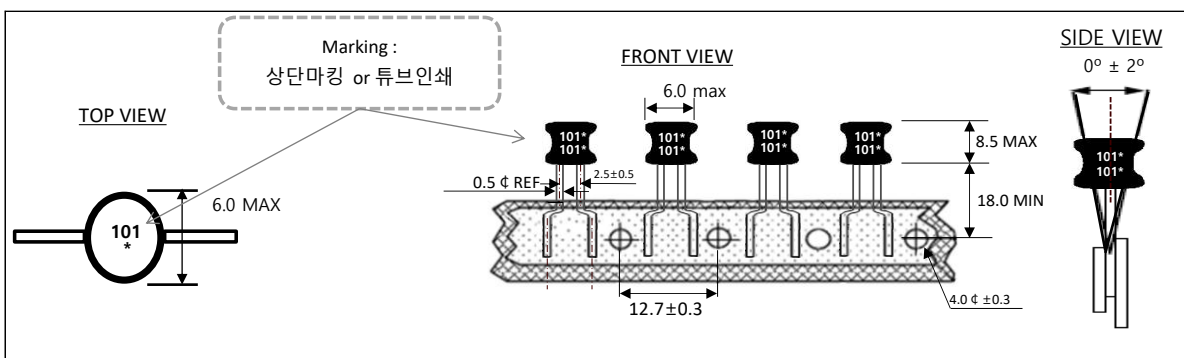
1-2) Taping Type (LPL0613T-C)



1-3) Tube Type (LPL0613BB-C)



1-4) Tube Taping Type (LPL0613SB-C)



LPL0613-C Series



<http://www.abco.co.kr>

2. Electrical Characteristics

Code	Inductance		Freq.	DC Resistance	Rated DC	MAR KING
Code	L (uH)	Tol. (%)	F (KHz)	Rdc(Ω) Max.	current(A) Max.	
LPL0615□□-3R3M-C	3.3	±20	1.0	0.070	3.00	3R3 *
LPL0615□□-4R7M-C	4.7			0.081	2.80	4R7 *
LPL0615□□-100K-C	10	±10		0.11	1.50	100 *
LPL0615□□-120K-C	12			0.13	1.45	120 *
LPL0615□□-150K-C	15			0.14	1.23	150 *
LPL0615□□-220K-C	22			0.23	1.20	220 *
LPL0615□□-330K-C	33			0.29	0.86	330 *
LPL0615□□-470K-C	47			0.42	0.73	470 *
LPL0615□□-560K-C	56			0.49	0.63	560 *
LPL0615□□-101K-C	100			0.94	0.54	101 *
LPL0615□□-121K-C	120			1.07	0.53	121 *
LPL0615□□-151K-C	150			1.36	0.50	151 *
LPL0615□□-221K-C	220			1.71	0.35	221 *
LPL0615□□-331K-C	330			2.40	0.27	331 *
LPL0615□□-471K-C	470			4.18	0.22	471 *
LPL0615□□-561K-C	560			5.22	0.21	561 *
LPL0615□□-681K-C	680			5.81	0.18	681 *
LPL0615□□-102K-C	1000			8.75	0.15	102 *
LPL0615□□-222K-C	2200	25.80	0.13	222 *		

▼ Test Equipments

. L : HIOKI 3511-50 Precision LCR Meter

. Rdc : HIOKI 3541 m Ω HiTESTER

. Idc : Agilent 4284A Precision LCR meter + 42841A Bias current source or equivalent

▼ Test Condition

. Idc(The saturation current) : $\Delta L \leq 20\%$ reduction from initial $L \pm 20\%$ value

$\Delta L \leq 10\%$ reduction from initial $L \pm 10\%$ value

※ Rated DC current : Idc

▼ Operating Temperature Range

-40 ~ +105°C (Including self-generated heat)