

LPH6028-R SERIES

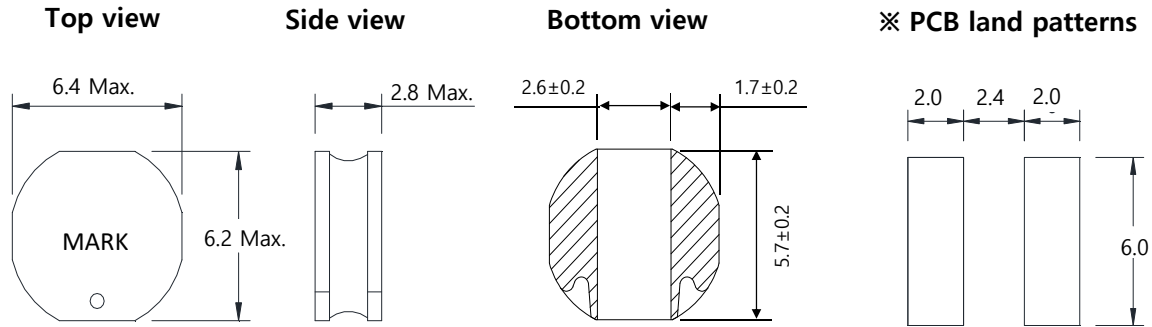


<http://www.abco.co.kr>

LPH6028-R SERIES

■ SHAPE & DIMENSIONS / RECOMMENDED SOLDER LAND PATTERN

Unit:mm



■ ELECTRICAL CHARACTERISTICS

Ordering code	Inductance [μH]	Tolerance (%)	Freq. (kHz)	Rdc ±20% (Ω)	Idc1 Max. (A)	Idc2 Typ. (A)
LPH6028T - 1R0N-R	1.0	± 30	100	0.013	6.50	6.50
LPH6028T - 1R5N-R	1.5	± 30		0.018	5.50	5.50
LPH6028T - 2R2N-R	2.2	± 30		0.021	4.50	4.50
LPH6028T - 3R3N-R	3.3	± 30		0.029	3.80	4.00
LPH6028T - 4R7M-R	4.7	± 20		0.035	3.00	3.90
LPH6028T - 5R6M-R	5.6	± 20		0.042	2.90	3.70
LPH6028T - 6R8M-R	6.8	± 20		0.048	2.70	3.00
LPH6028T - 8R2M-R	8.2	± 20		0.050	2.25	2.85
LPH6028T - 100M-R	10.0	± 20		0.061	2.20	2.80
LPH6028T - 150M-R	15.0	± 20		0.090	1.60	2.20
LPH6028T - 220M-R	22.0	± 20		0.142	1.40	2.00
LPH6028T - 270M-R	27.0	± 20		0.152	1.20	1.50
LPH6028T - 330M-R	33.0	± 20		0.175	1.10	1.30
LPH6028T - 470M-R	47.0	± 20		0.265	0.75	1.00
LPH6028T - 680M-R	68.0	± 20		0.390	0.65	0.90
LPH6028T - 101M-R	100.0	± 20		0.560	0.60	0.80

▼ Test Equipments

- Inductance measured : Agilent E4980A Precision LCR Meter or equivalent(100kHz, 0.5V)
 - Rdc : HIOKI 3540 mΩ HiTESTER or equivalent
 - Idc1(The saturation current) : $\Delta L \leq 30\%$ reduction from initial L value
Agilent 4284A LCR Meter + Agilent 42841A Bias Current Source
 - Idc2(The temperature rise): $\Delta T = 40^\circ\text{C}$ typical at rated DC current
Yokogawa DR130 Hybrid Recorder + Agilent 6692A DC Power Supply
- ※ Rated DC current(Idc) : The value of Idc1 or Idc2 , whichever is smaller

▼ Operating Temperature Range

-40 ~ +125°C (Including self-generated heat)