

LPH4018 SERIES

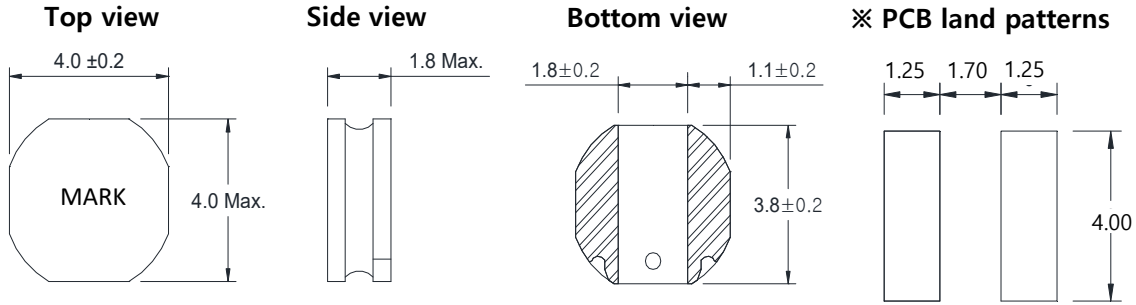


<http://www.abco.co.kr>

LPH4018 SERIES

■ SHAPE & DIMENSIONS / RECOMMENDED SOLDER LAND PATTERN

Unit:mm



■ ELECTRICAL CHARACTERISTICS

Ordering code	Inductance [μH]	Tolerance (%)	Freq. (kHz)	Rdc ±20% (Ω)	Idc1 Max. (A)	Idc2 Typ. (A)
LPH4018T - R47N	0.47	± 30	100	0.025	5.30	3.60
LPH4018T - 1R0N	1.0	± 30		0.035	4.30	3.00
LPH4018T - 1R5M	1.5	± 20		0.042	4.00	2.60
LPH4018T - 2R2M	2.2	± 20		0.055	3.30	2.20
LPH4018T - 3R3M	3.3	± 20		0.075	2.40	2.10
LPH4018T - 4R7M	4.7	± 20		0.105	2.20	1.70
LPH4018T - 6R8M	6.8	± 20		0.155	1.90	1.40
LPH4018T - 100M	10.0	± 20		0.225	1.40	0.84
LPH4018T - 150M	15.0	± 20		0.356	1.10	0.70
LPH4018T - 220M	22.0	± 20		0.460	1.00	0.60
LPH4018T - 470M	47.0	± 20		1.021	0.80	0.50

▼ Test Equipments

- Inductance measured : Agilent E4980A Precision LCR Meter or equivalent(100kHz, 0.5V)
- Rdc : HIOKI 3540 mΩ HiTESTER or equivalent
- Idc1(The saturation current) : $\Delta L \leq 30\%$ reduction from initial L value
Agilent 4284A LCR Meter + Agilent 42841A Bias Current Source
- Idc2(The temperature rise): $\Delta T = 40^\circ\text{C}$ typical at rated DC current
Yokogawa DR130 Hybrid Recorder + Agilent 6692A DC Power Supply
- ※ Rated DC current(Idc) : The value of Idc1 or Idc2 , whichever is smaller

▼ Operating Temperature Range

- 40 ~ +125°C (Including self-generated heat)